



## Catheter mount range

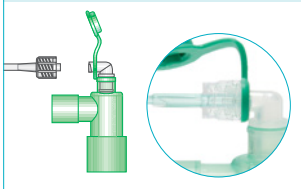


**Airway Management** ▪ Patient Connections

## A guide to our ports and caps

For added safety all Intersurgical port caps are fixed to the connectors, to prevent loss or misplacement in use.

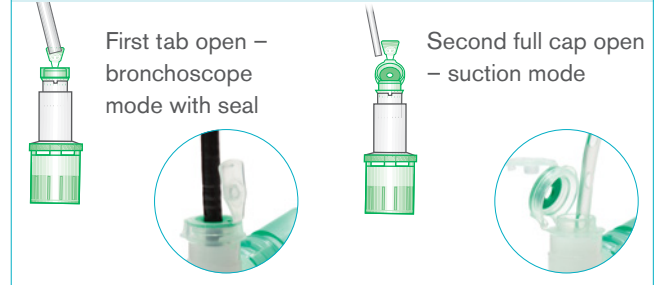
**Luer ports**  
For secure attachment of gas sampling lines with luer lock fittings



**7.6mm port and flip top cap**  
For insertion of all standard 7.6mm probes or for suctioning



**Double flip top cap with seal**  
Bronchoscopy and suction ports in one patient connection

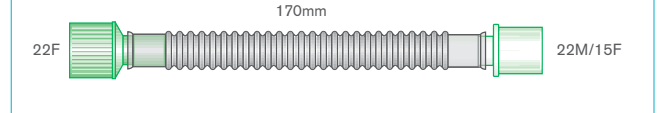


## Flexible catheter mounts

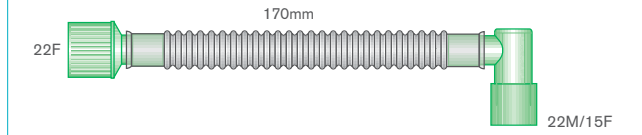
A range of flexible catheter mounts available with a variety of elbow connections and ports for all applications. For added safety all Intersurgical port caps are tethered to the connectors, to prevent loss or misplacement in use.

[Make an enquiry](#)

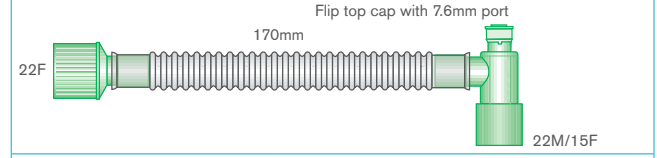
[Watch the video](#)



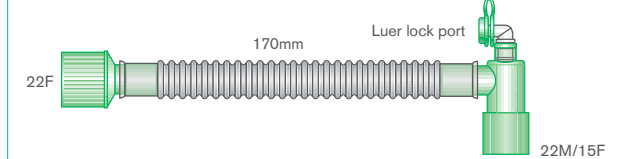
<b>Code</b>	3511000
<b>Box Qty.</b>	50
<b>Compressible Volume</b>	44ml



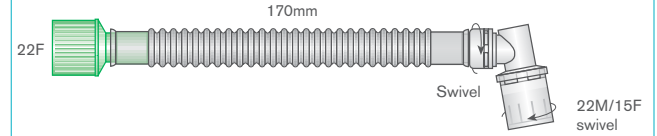
<b>Code</b>	3501000 (S*)
<b>Box Qty.</b>	50 (85*)
<b>Compressible Volume</b>	45ml



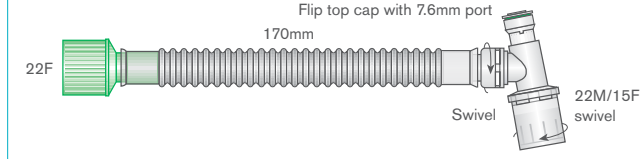
<b>Code</b>	3508000
<b>Box Qty.</b>	50
<b>Compressible Volume</b>	49ml



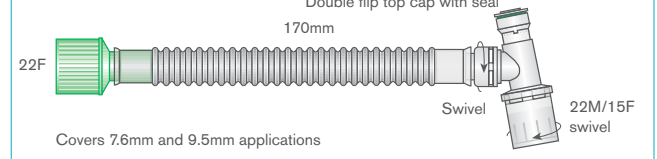
<b>Code</b>	3515000
<b>Box Qty.</b>	40
<b>Compressible Volume</b>	50ml



<b>Code</b>	3506000
<b>Box Qty.</b>	50
<b>Compressible Volume</b>	48ml




<b>Code</b>	3516000 (S*)
<b>Box Qty.</b>	50 (85*)
<b>Compressible Volume</b>	47ml



Covers 7.6mm and 9.5mm applications

<b>Code</b>	3505000 (S*)
<b>Box Qty.</b>	50 (85*)
<b>Compressible Volume</b>	48ml

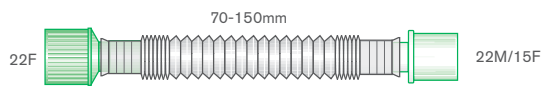
 Sterile option available

(S\*) Add an S to the seven digit code number for the sterile version of this product eg. 3501000S (sterile box quantity is shown in brackets).



## Superset™ catheter mounts

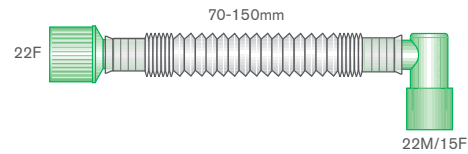
Superset catheter mounts have a concertina design to allow for complete positioning control. The design allows the adjustment of compressible volume and the adjustment of length from 70mm to 150mm, excluding connectors. The range is available with fixed and double swivel elbows and a variety of ports for all applications. For added safety all Intersurgical port caps are fixed to the connectors, to prevent loss or misplacement in use.

[Make an enquiry](#)
[Watch the video](#)


**Code** 3504000 (S\*)

**Box Qty.** 75 (75\*)

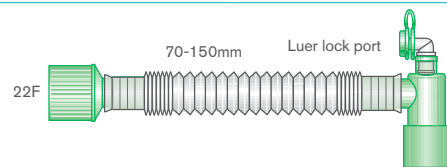
**Compressible Volume** 22-43ml



**Code** 3502000 (S\*)

**Box Qty.** 75 (40\*)

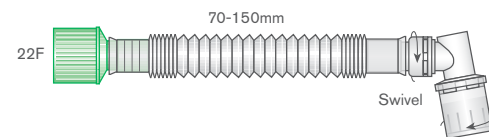
**Compressible Volume** 23-44ml



**Code** 3514000 (S\*)

**Box Qty.** 75 (40\*)

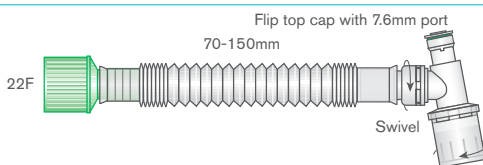
**Compressible Volume** 26-47ml



**Code** 3512000

**Box Qty.** 75

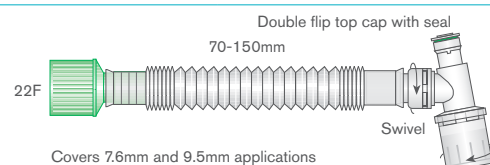
**Compressible Volume** 27-47ml



**Code** 3520000 (S\*)

**Box Qty.** 75 (40\*)

**Compressible Volume** 23-47ml

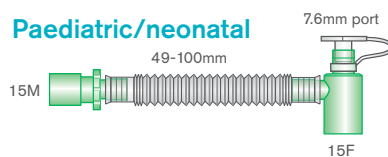


**Code** 3521000 (S\*)

**Box Qty.** 75 (40\*)

**Compressible Volume** 26-50ml

### Paediatric/neonatal

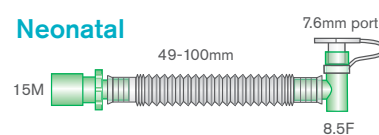


**Code** 3535000

**Box Qty.** 15

**Compressible Volume** 13-16ml


### Neonatal



**Code** 3534000

**Box Qty.** 25

**Compressible Volume** 10-13ml

 Sterile option available

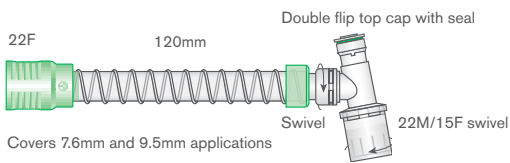
(S\*) Add an S to the seven digit code number for the sterile version of this product eg. 3504000S (sterile box quantity is shown in brackets).

## Smoothbore catheter mounts

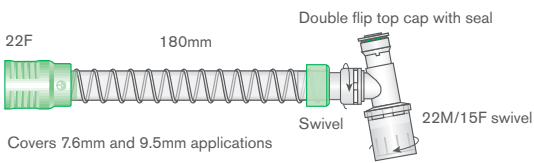
A range of Smoothbore catheter mounts providing good flow characteristics, lower tubing compliance and clear, crush-resistant tubing. Available in a variety of lengths with double swivel elbows and double flip top caps. For added safety all Intersurgical port caps are fixed to the connectors, to prevent loss or misplacement in use.

[Make an enquiry](#)

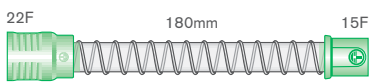
[Watch the video](#)



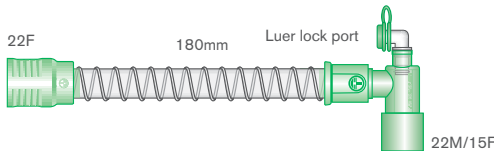
<b>Code</b>	5120000 (S*)
<b>Box Qty.</b>	50 (85*)
<b>Compressible Volume</b>	30ml



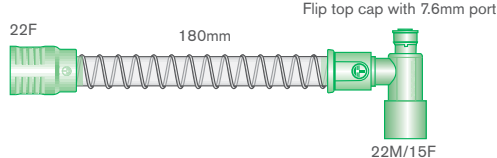
<b>Code</b>	5180000 (S*)
<b>Box Qty.</b>	50 (85*)
<b>Compressible Volume</b>	37ml



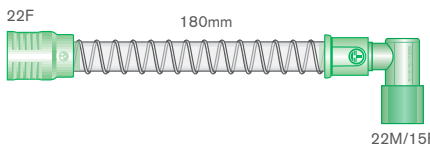
<b>Code</b>	5180104 (S*)
<b>Box Qty.</b>	50 (85*)
<b>Compressible Volume</b>	25ml



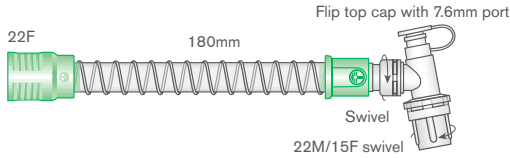
<b>Code</b>	5180114 (S*)
<b>Box Qty.</b>	50 (85*)
<b>Compressible Volume</b>	36ml



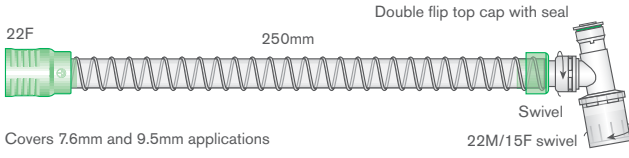
<b>Code</b>	5180193 (S*)
<b>Box Qty.</b>	50 (85*)
<b>Compressible Volume</b>	35ml




<b>Code</b>	5180197 (S*)
<b>Box Qty.</b>	50 (85*)
<b>Compressible Volume</b>	35ml



<b>Code</b>	5180199 (S*)
<b>Box Qty.</b>	50 (85*)
<b>Compressible Volume</b>	35ml



<b>Code</b>	5250000 (S*)
<b>Box Qty.</b>	50 (50*)
<b>Compressible Volume</b>	51ml

 Sterile option available

(S\*) Add an S to the seven digit code number for the sterile version of this product eg. 5120000S (sterile box quantity is shown in brackets).

IS12.30 • Issue 1 12.23



Intersurgical Ltd, Crane House, Molly Millars Lane, Wokingham, Berkshire, RG41 2RZ, UK  
T: +44 (0)118 965 6300 info@intersurgical.com www.intersurgical.com



The manufacturer Intersurgical Ltd is certified to ISO 14001:2015, ISO 9001:2015, ISO 13485:2016 and MDSAP

**Please think before you print**  
Save energy and paper.  
If you must print this information sheet please print it double sided.